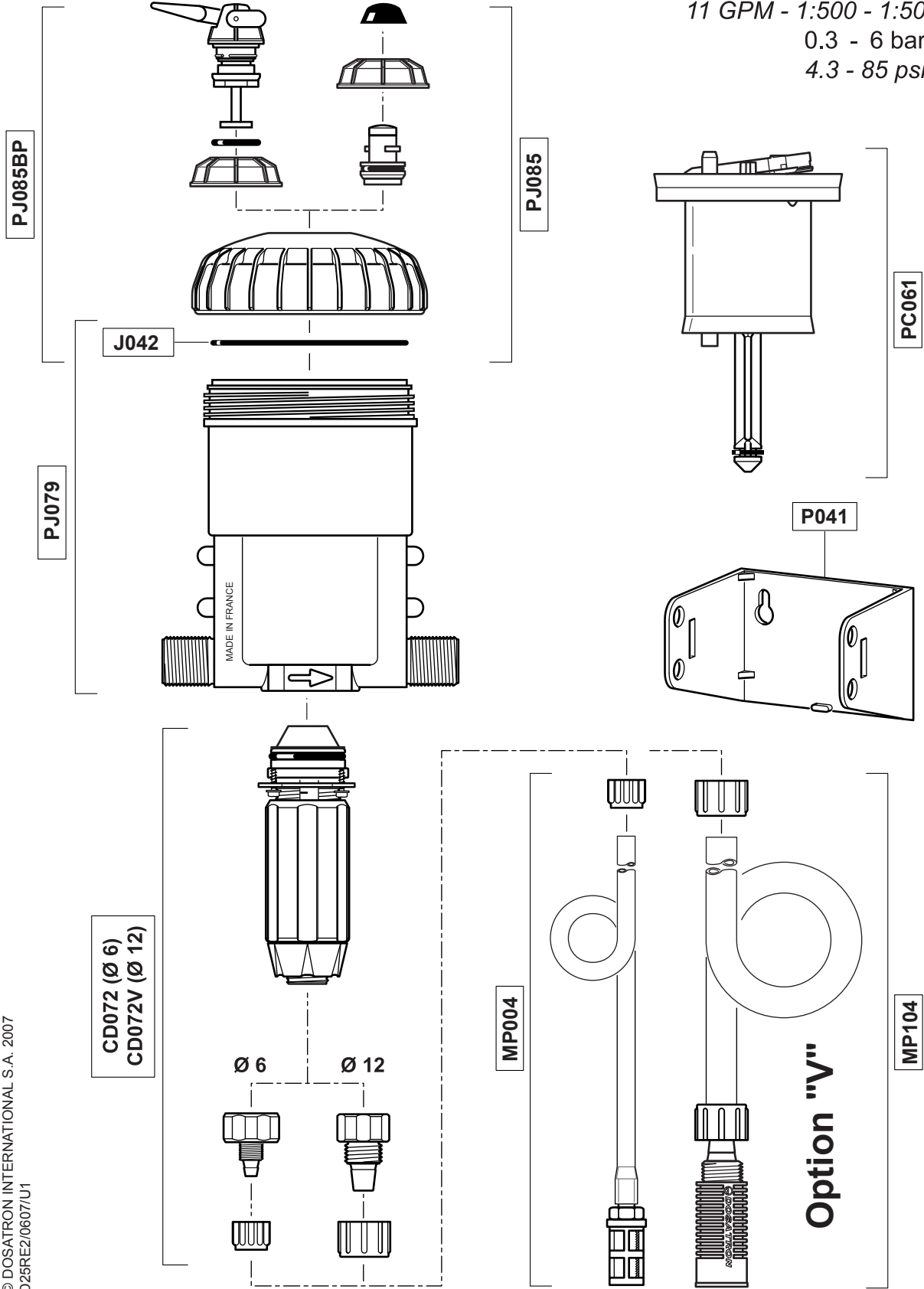


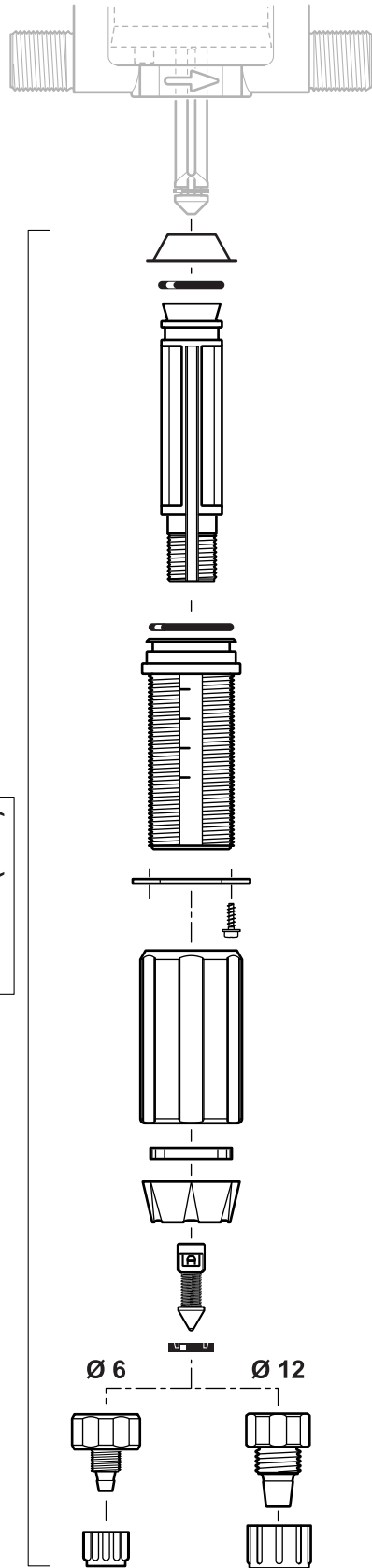
D25RE2

2.5 m³/h - 0.2 - 2%
 11 GPM - 1:500 - 1:50
 0.3 - 6 bar
 4.3 - 85 psi

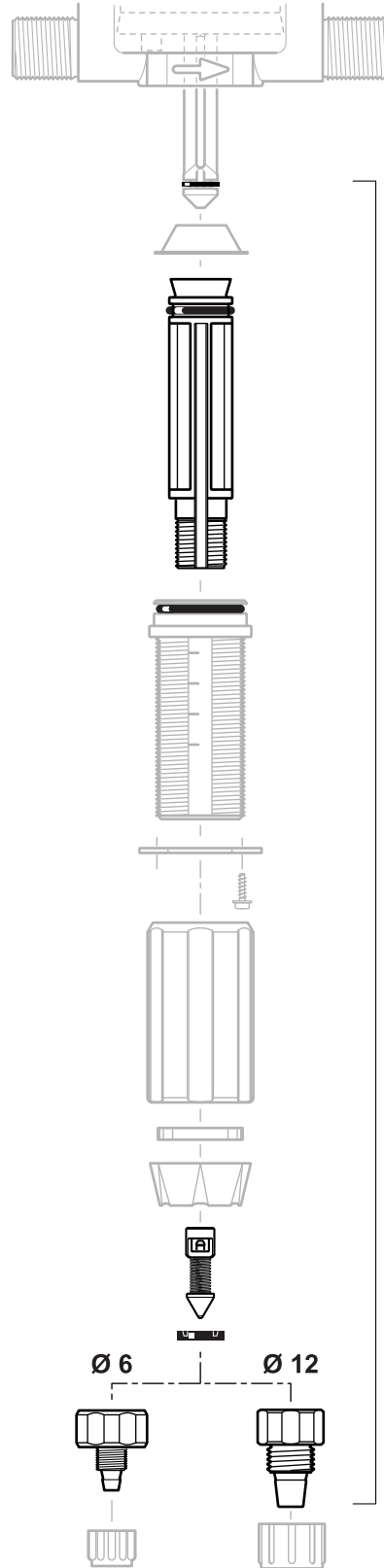


D25RE2

2.5 m³/h - 0.2 - 2%
11 GPM - 1:500 - 1:50
0.3 - 6 bar
4.3 - 85 psi



CD072 ($\varnothing 6$)
CD072V ($\varnothing 12$)



PJ093 ($\varnothing 6$)
PJ093V ($\varnothing 12$)